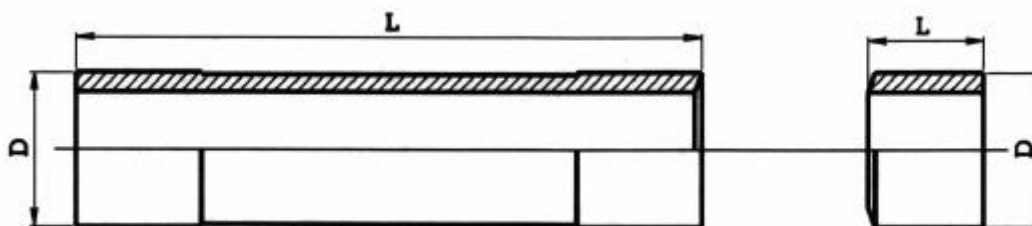


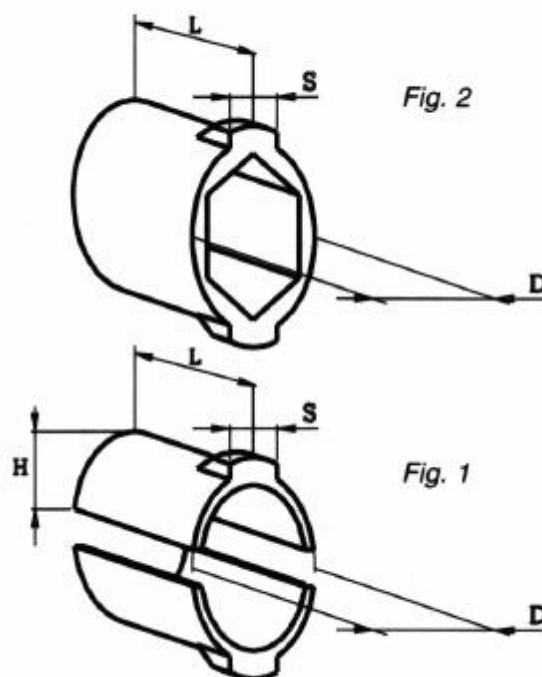
Rury podające i tuleje dystansowe



Rura			Tuleja			Maschine
Art.	D	L	Art.	D	L	
			078.036	27	19.5	BECHLER BR 20
076.210	16.8	165	078.210	16.8	12	FEINLER FA 10
076.220	23	190	078.220	23	12	FEINLER FA 15
076.220	23	190	078.220B	23	10.5	FEINLER FA 15
—	—	—	078.745	37	27	STROHM 255
076.810	21	156	078.810	21	24	TRAUB A 15 - TC 15
076.811	21	176	078.810	21	24	TRAUB A 15 - TC 15
076.820	28	158	078.820	28	24	TRAUB A 20
076.830	32	132	078.830	32	24	TRAUB A 25
076.830	32	132	078.832	32	26	TRAUB A 25
076.870	51	230	078.870	51	29	TRAUB A 42
076.880	70	234	078.880	70	30	TRAUB A 60
076.920	34	203	078.920	34	15	TRAUB TD 26
—	—	—	078.940	51.8	25	TRAUB TB 42

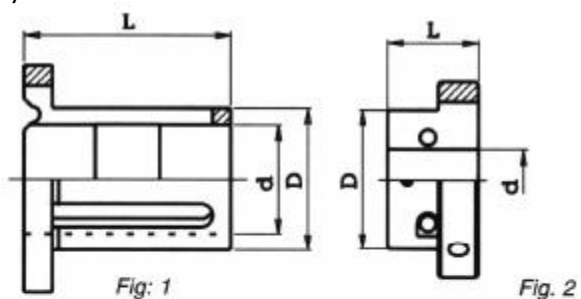
Tuleje dystansowe (Pary)

Art.	D	L	S	H	Maschine	Fig
079.310	24	36	11.6	8	INDEX DG 12	1
079.315	26	34	12	—	INDEX DG 12	2
079.320	30	34	11.5	10.1	INDEX 12 - ON 12 - OR 12	1
079.330	30	40	13.5	10.5	INDEX 18 - C 19	1
079.340	36	40	13.5	13	INDEX 25	1
079.350	37	42	15.8	13	INDEX 24 - B 30 - C 29	1
079.360	48	52	19.5	18.4	INDEX 36 - B 42	1
079.370	67	52	19.5	27.3	INDEX 52 - B 60	1
079.750	38	50	14.5	11.5	TAREX L 32	1
079.753	47	50	15.5	16	TAREX L 42	1
079.753B	47	50	21.5	16	TAREX L 42	1
079.756	57	50	15.5	21	TAREX L 52	1
079.756B	57	50	21.5	21	TAREX L 52	1
079.762B	70	50	24.5	22.3	TAREX L 64	1

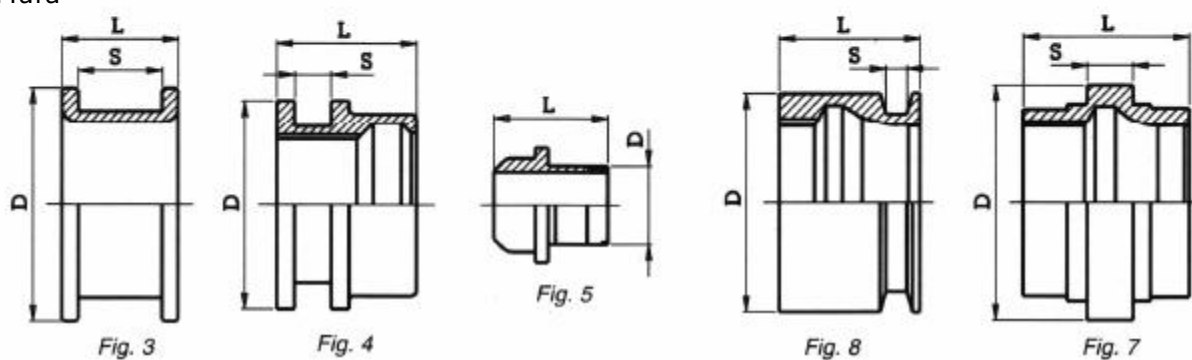


Łożysko dźwigni zacisku i mufy

Łożysko



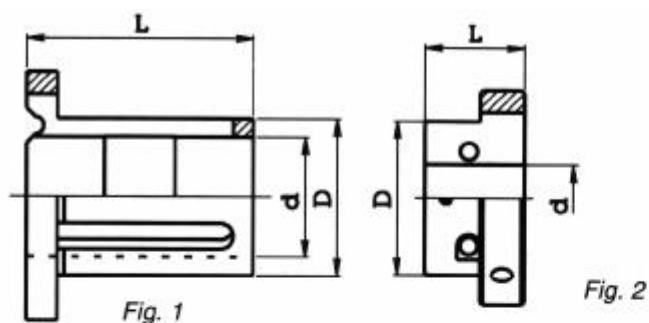
Mufa



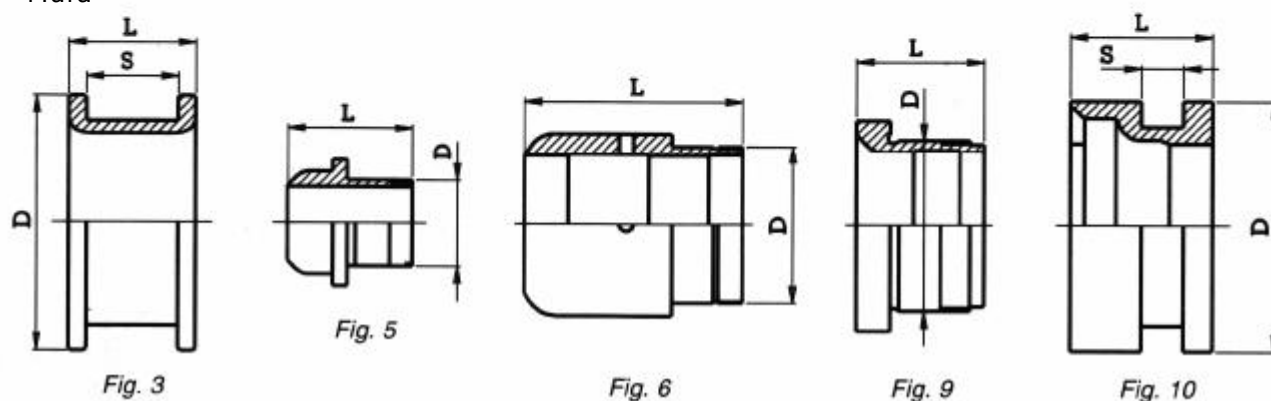
Łożysko					Mufa							
Art.	D	d	L	Fig.	Art.	D	L	S	Fig.	Art. dźwignia zacisku	Nr.	Maschine
080.211	—	—	—	—	080.210	30	43	—	5	084.220	2	FEINLER FA 10
080.221	59	30	45	2	080.220	35	44.5	—	5	084.220	2	FEINLER FA 15
080.310	46	39	74	1	—	—	—	—	—	084.310	2	INDEX ON 12
080.315	42	35	77	1	—	—	—	—	—	084.310	2	INDEX DG 12
080.320	44	34	72	1	082.320	80	54	14	4	084.320	2	INDEX 12
080.330	50	39	72	1	082.330	80	54	14	4	084.330	2	INDEX 18 - C 19
080.340	56	44	72	1	082.340	86	54	14	4	084.330	2	INDEX 25
080.345	60	48	72	1	082.345	90	54	14	4	084.350	2	INDEX C 29
080.350	68	48	94	1	082.350	115	76	18	4	084.351	2	INDEX 24 - B 30
080.360	80	59	94	1	082.360	115	76	18	4	084.360	2	INDEX 36 - B 42
080.370	98	76	94	1	082.370	130	52	18	4	084.360	2	INDEX 52 - B 60
—	—	—	—	—	082.662	92	65	18	7	—	—	SCHÜTTE SE 16
—	—	—	—	—	082.662B	85.5	55	8.3	8	—	—	SCHÜTTE SE 16

Łożysko dźwigni zacisku i mufy

Łożysko

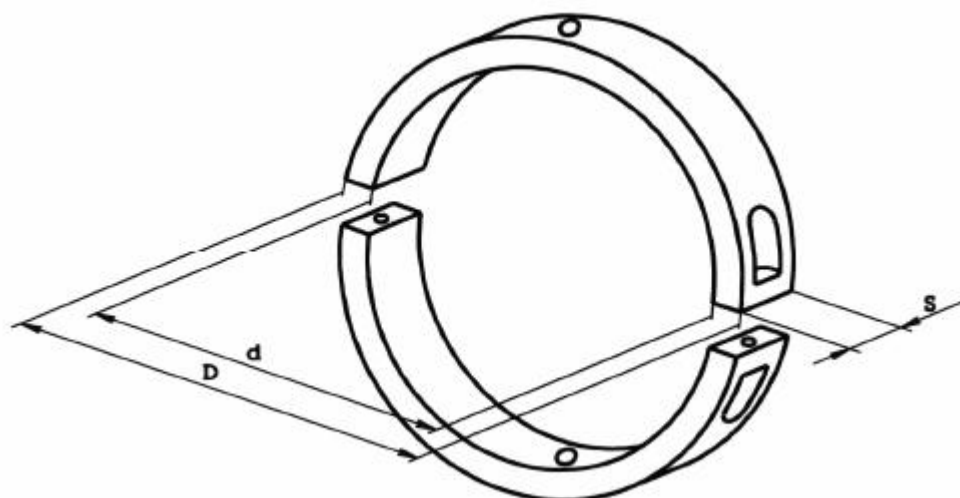


Mufa



Łożysko					Mufa					Dźwignia zac.		
Art.	D	d	L	Fig.	Art.	D	L	S	Fig.	Art.	Nr.	Maschine
080.731	76	25	35	2	080.730	30	44	—	5	084.730	2	STROHM 125
—	—	—	—	—	080.735	55	77	—	6	—	—	STROHM 205
—	—	—	—	—	080.740	60	77	—	6	—	—	STROHM 255
080.810	37	30	65.3	1	082.810	57	40	22.5	3	084.810	2	TRAUB A 15 (mit Spannring. 9 mm)
080.811	42	30	72	1	082.811	70	46	30.5	3	084.830	2	TRAUB A 15 (mit Spannring. 10 mm)
080.812	42	30	72	1	082.811	70	46	30.5	3	084.831	2	TRAUB A 15 (mit Spannring. 12 mm)
080.812	42	30	72	1	082.800	50	43.5	---	9	084.831	2	TRAUB TC15
080.820	45	38	74	1	082.820	72	46	30.5	3	084.830	3	TRAUB A 20
080.830	50	42	75	1	082.830	79	45	30.5	3	084.830	3	TRAUB A 25 (mit Spannring. 10 mm)
080.831	50	42	75	1	082.830	79	45	30.5	3	084.831	3	TRAUB A 25 (mit Spannring. 12 mm)
080.850	60	50	73	1	082.850	96.8	45	32.5	3	084.870	3	TRAUB A 26
080.860	74	60	75	1	082.860	112	45	32.5	3	084.870	3	TRAUB A 36
080.870	79	60	76	1	082.870	112	45	32.5	3	084.870	3	TRAUB A 42
080.880	96	80	76	1	082.880	128	45	32.5	3	084.870	3	TRAUB A 60
080.920	52	40	78	1	082.920	60	45	---	9	084.920	3	TRAUB TD 26
080.940	80	65	90	1	082.940	118	45	32.5	3	084.950	3	TRAUB TB 42
080.950	96	82	90	1	082.880	128	45	32.5	3	084.950	3	TRAUB TB 60
—	—	—	—	—	082.978	87.3	50	14.5	10	—	—	WICKMAN 5/8
—	—	—	—	—	082.979	112.8	93.6	19.2	10	—	—	WICKMAN 1"
—	—	—	—	—	082.982	144	127	19	10	—	—	WICKMAN 1" 3/8
—	—	—	—	—	082.982B	144	127	19	10	—	—	WICKMAN 1" 3/8
—	—	—	—	—	082.984	170	125	22	10	—	—	WICKMAN 2" 1/4

Mufa dzielona



Mufa zacisku

Art.	D	d	S	Maschine
081.330	83	62	14	INDEX 12-18-C19
081.340	90	68.5	14	INDEX 25
081.345	93	72	14	INDEX C29
081.360	118	92	18	INDEX 24-36-B30-B42
081.370	133	110	18	INDEX 52-B60

Mufa sprzęgła

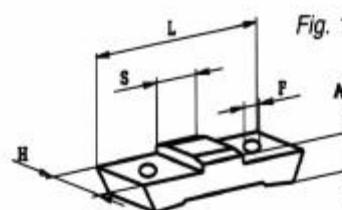
Art.	D	d	S	Maschine
081.320B	100	79	14	INDEX 12
081.330B	101	82	14	INDEX 18-C19
091.340B	106	88	14	INDEX 25
081.345B	113	95	14	INDEX C29
081.350B	136	103	18	INDEX 24
081.355B	136	105	18	INDEX B30
081.360B	136	116	18	INDEX 36-B42
081.370B	152	133	18	INDEX 52-B60

Łapki i dociski

Knaggengleitstück

Fig.1

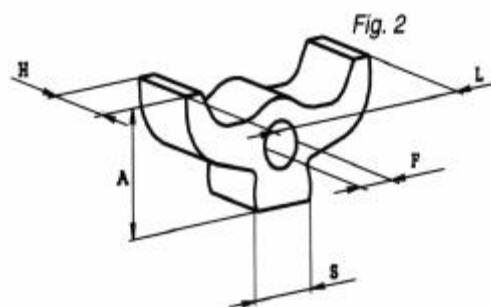
Art.	A	F	H	L	S	Maschine
083.340B	6	5x0.5	14	39.5	12	INDEX 12-18-25 - C 19 (A33091)
083.343B	8	5x0.5	16	45.5	16	INDEX 24-E26-ER26 INDEX B30 Kupplung (A53090)
083.345B	6	5x0.5	16	39.5	12	INDEX C29
083.360B	8	5x0.5	20	45.5	16	INDEX 36-52 INDEX B42-60 Getriebe (A73090)
083.361B	7	5x0.5	20	40.2	10	INDEX B30 Getriebe INDEX B42-60-B60F Kupplung (AR1840)



Pendelknagge

Fig.2

Art.	A	F	H	L	S	Maschine
083.340	17	7	13.8	45	12	INDEX 12-18-25 - C19 (A33060)
083.343	20	8	15.8	50	14	INDEX 24-E26-ER26
083.344	18	8	15.8	50	14	INDEX B30 Kupplung (A53060)
083.345	17	7	15.8	45	12	INDEX C29
083.360	20	8	19.8	50	14	INDEX 36-52
083.361	22	8	19.8	46	14	INDEX B30 Getriebe INDEX B42-60-B60F Kupplung (AR1830)



Dźwignie zacisku

Szersza oferta znajduje się na naszej stronie z firmy Ziegler www.ziegler.automaten-technik.pl



Fig. 1

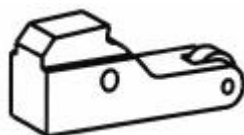


Fig. 2



Fig. 3



Fig. 4

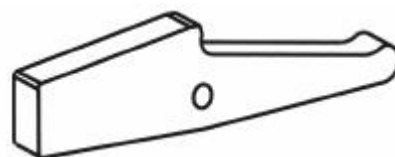


Fig. 5

Art.	S	L	F	H	Fig.	Maschine	Nr.
084.019	10	92	8	28	5	BECHET 19	
084.028	6	54.5	3	16	1	BECHLER A7-A10	2
084.028B	6	54.5	4	16	1	BECHLER A7-A10	2
084.039B	12	76.2	6	28.6	2	BECHLER B20 (neue Version)	2
084.162	6	52	4	17.5	4	CITIZEN G16	
084.220	7	50	6	19	3	FEINLER FA10-FA15	2
084.224	6	57	4	15.5	1	GAUTHIER GM12-15	2

S = szerokość

L = długość

F = średnica otworu

H = wysokość

Dźwignie zacisku



Fig. 1



Fig. 2



Fig. 3



Fig. 4

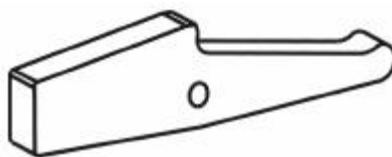


Fig. 5



Fig. 6

Art.	S	L	F	H	Fig.	Maschine	Nr.
084.310	11.8	66	—	17.2	1	INDEX ON12-OR12-DG12	2
084.311	13.8	66	—	17.2	1	INDEX E25 hydraulisch	2
084.320	11.8	74	—	20	1	INDEX 12-ER16	2
084.330	13.5	74	—	20	1	INDEX 18-25-C19-ER25-KR30-GS30	2
084.350	15.5	74	—	20	1	INDEX C29	2
084.351	15.5	100	—	24.2	1	INDEX 24-B30	2
084.360	19.8	100	—	24.2	1	INDEX 36-52-B42-B60	2
084.366	20	88	—	23		INDEX KS 32-42-50	
084.543	12	70.6	7	24	4	MANURHIN PF TR 22-25	
084.549	15.5	91	10	32.5	4	MANURHIN PF TR 32-42	
084.570	6	35	3	14.2	3	PETERMAN P4	2
084.571	7	55	4	16.2	2	PETERMAN P7	2
084.572	7	68	4	19	2	PETERMAN P7R	2
084.572B	7	68	5	19	2	PETERMAN P7R	2
084.577	10	99	5	22	5	PETERMAN P16	2
084.650	12	62.2	—	19	6	SCHAUBLIN 102-120HP	

S = szerokość

L = długość

F = średnica otworu

H = wysokość

Dźwignie zacisku



Fig. 1



Fig. 2



Fig. 3



Fig. 4



Fig. 5



Fig. 6

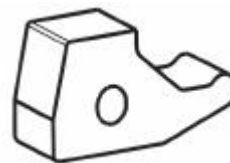


Fig. 7

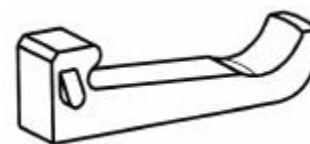


Fig. 8



Fig. 9



Fig. 10



Fig. 11



Fig. 12

Art.	S	L	F	H	Fig.	Maschine	Nr.
084.680	10	73	6	27		STAR NC16	
084.683	12	50	8	25.5	4	STAR KNC 32B	
084.686	12	67.5	2.5	18.8	1	STEINHAUSER STF16	
084.688	12	68	8	23	5	STEINHAUSER STF25	
684.690	14	81	3	22.2	1	STEINHAUSER STF36	
084.720	6	44	4.5	16	8	STROHM 45	2
084.730	7	50	6	21	6	STROHM 125NAR	2
084.730B	7	50	6	21	6	STROHM 75-105-125AS	2
084.731	7	50	8	21	6	STROHM 125NAR mit Stift	2
084.731B	7	50	8	21	6	STROHM 75-105-125AS mit Stift	2
084.740	12	90.5	9	31	2	STROHM 205-255.(alte Version)	2
084.745	13.8	92	8	26	9	STROHM 205-255 (neue Version)	2
084.762	25	76	10	37	10	TAREX TH64	2
084.530	21.5	100	—	24.2	1	TAREX L32-42-52	2
084.351	15.5	100	—	24.2	1	TAREX L42-52-64	2
084.790	6	43	4.5	16	2	TORNOS T4	2
084.792	7	58	5	18.3	11	TORNOS M7	2
084.792B	7	58	6	18.3	11	TORNOS M7	2
084.793	7	62.8	5	18	2	TORNOS MS7	2
084.794	11.8	66	—	17.2	1	TORNOS R7-R10	2
084.795	9	71.3	7	24.3	11	TORNOS M 15	2
084.795B	9	55	6	21.3	2	TORNOS NA12	2
084.796	13.5	74	—	20	1	TORNOS R16	2
084.798	12	91	8	30	11	TORNOS 20	
084.799	12	103	8	30	11	TORNOS 25	
084.810	9	62	—	17	3	TRAUB A15 (alte Version)	8
084.830	10	70	—	18	3	TRAUB A15	8
084.830	10	70	—	18	3	TRAUB A20-25	8
084.831	12	70	—	18	3	TRAUB A15	8
084.831	12	70	—	18	3	TRAUB A20-25-TC15	8
084.870	14	72	—	20.7	3	TRAUB A26-36-42-45-60	8
084.920	12	75	2	18.3	12	TRAUB TD 16-26-36	12
10.1018	12	75	2	18,3	8	TRAUB TD 16-26-36	8
084.950	18	84	—	22	7	TRAUB TB30-42-60	8
084.958	12	57	—	17	1	TSUGAMI S20-BS20BE Spindelstock	
084.958	12	57	—	17	1	TSUGAMI BS20BE-NP20 Gegenspindel	
084.958B	8	56	—	13	1	TSUGAMI S20 Gegenspindel	
084.959	12	85	—	22	1	TSUGAMI NP20 Spindelstock	

S = szerokość

L = długość

F = średnica otworu

H = wysokość